



"The Chlorine Dioxide People"

Providing you with chlorine dioxide solutions for your decontamination needs

Connection Plate Guide

ClorDiSys Solutions offers a variety of methods to connect our Chlorine Dioxide Gas Generators to rooms and other enclosures. This guide will describe those methods allowing you to make the best decision for your specific application and facility.



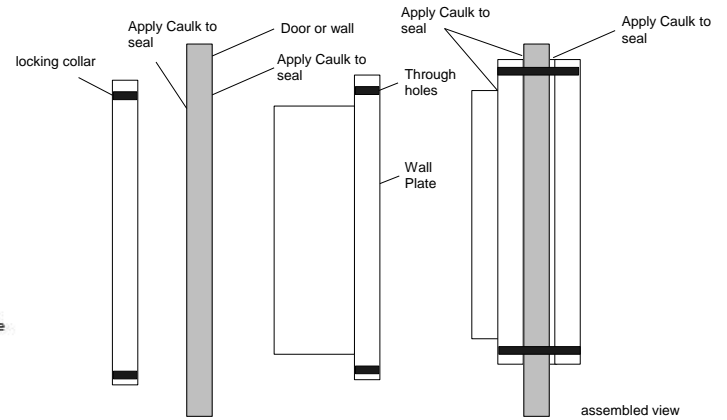
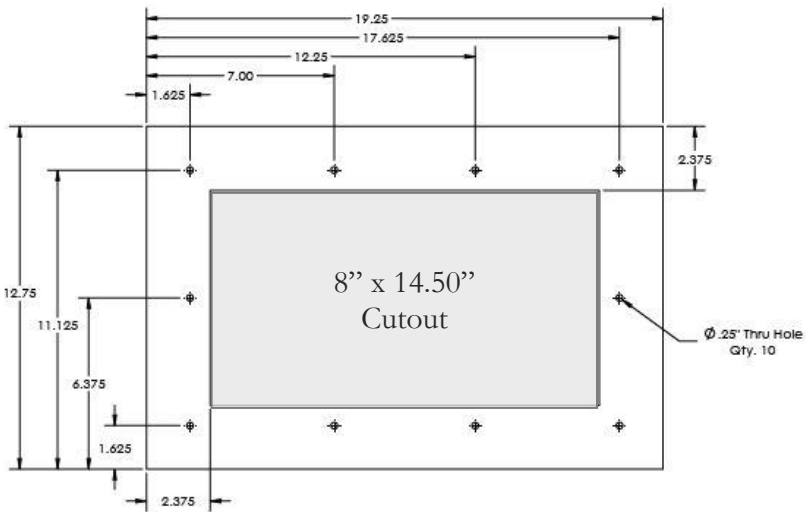
Stud Wall Plate

Description:

The Stud Wall Plate provides a method to connect ClorDiSys Solutions, Inc chlorine dioxide gas generators to a room for quick, easy connections. It is mounted through a studded wall to the room to be decontaminated. The plate allows for quick valved tubing connections and quick connection of electrical connectors to measure and control the RH to all chlorine dioxide gas generators.



Dimensions: 19.25" (L) x 12.75" (W) x 6" (D)
Weight: 15 lbs.
 Connections and plate sizing can be customized to fit your facility's needs.



Product Number	Description
PLAT-WALL/S/RH	For studded room construction, RH Probe included
PLAT-WALL/S	For studded room construction, RH Probe not included

Block Wall Plate

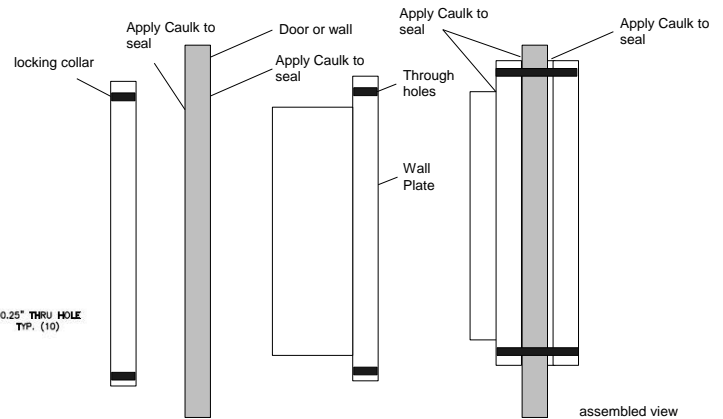
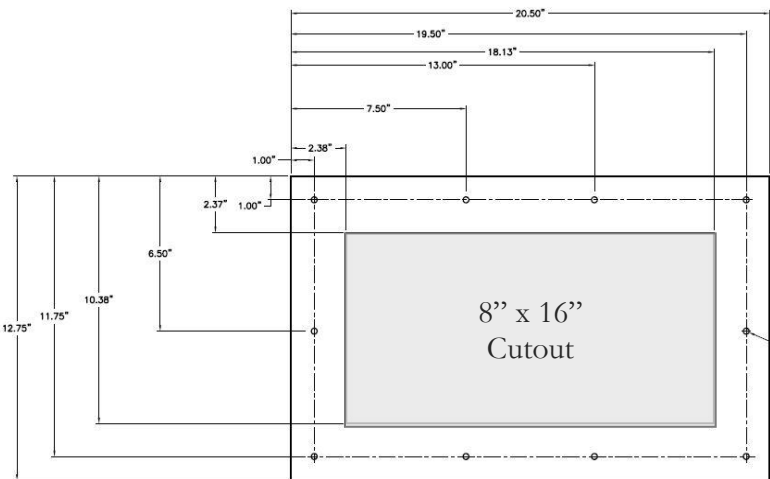
Description:

The Block Wall Plate provides a method to connect ClorDiSys Solutions, Inc chlorine dioxide gas generators to a room for quick, easy connections. It is mounted through a cinder block wall to the room to be decontaminated. The plate allows for quick valved tubing connections and quick connection of electrical connectors to measure and control the RH to all chlorine dioxide gas generators.



Dimensions: 20.50" (L) x 12.75" (W) x 8.50" (D)
Weight: 15 lbs.

Connections and plate sizing can be customized to fit your facility's needs.



Product Number	Description
PLAT-WALL/B/RH	For block room construction, RH Probe included
PLAT-WALL/B	For block room construction, RH Probe not included

Door Plate

Description:

The Door Plate provides a method to connect ClorDiSys Solutions, Inc. chlorine dioxide gas generators to a room for quick easy connections. It is mounted through a door to the room to be decontaminated. The plate allows for quick valved tubing connections and quick connection of electrical connectors to measure and control the RH to either the Minidox or Cloridox systems.

It comes in 2 versions; one with RH probe installed (PLAT-DOOR/RH-001) or without the RH probe (PLAT-DOOR-001). If using without a RH probe, then the probe supplied with ClorDiSys Solutions, Inc. gas generator must be used.

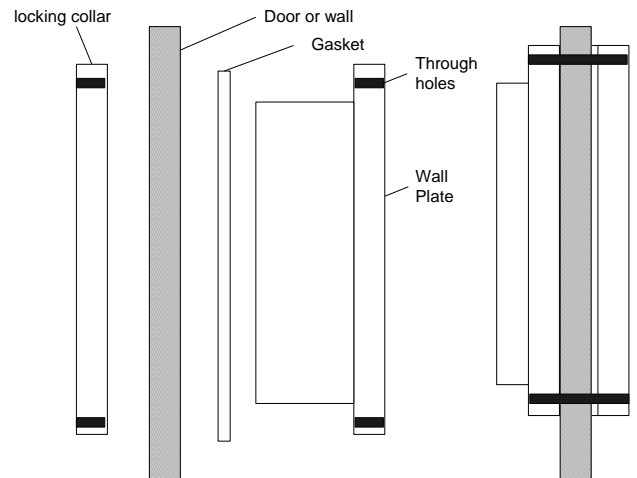
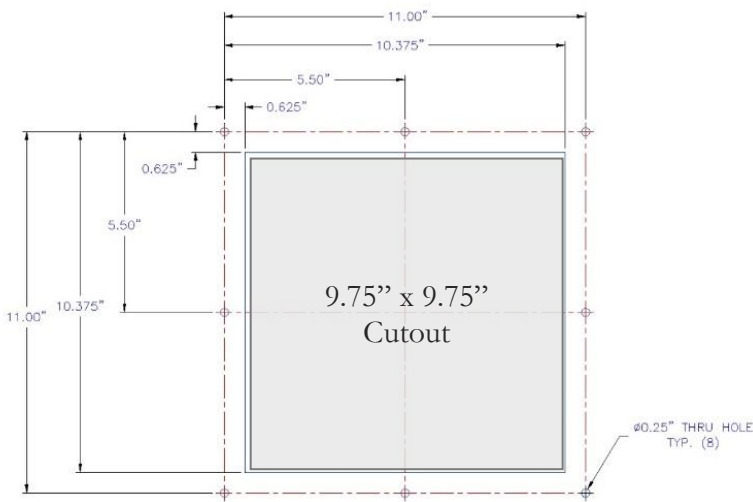
In addition to the Door Plate, a locking collar is provided to be caulked in place providing a seal to prevent gas from leaking during the decontamination process.



Dimensions: 13" (L) x 13" (W) x 2.75" (D)

Weight: 10 lbs.

Connections and plate sizing can be customized to fit your facility's needs.



Product Number	Description
PLAT-DOOR/RH-001	Door Plate, RH Probe included
PLAT-DOOR-001	Door Plate, RH Probe not included

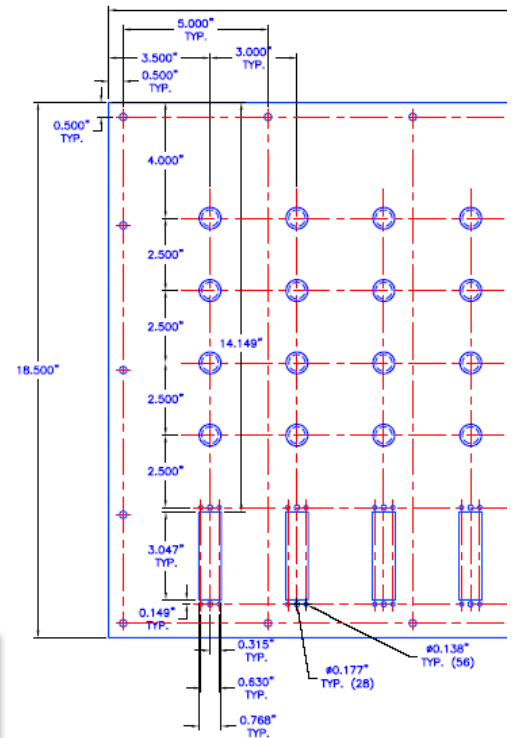
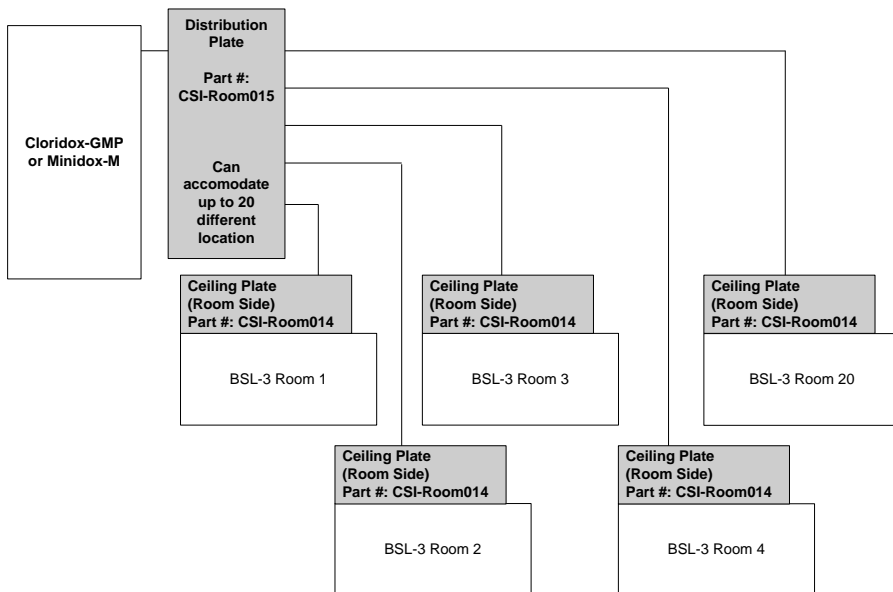
Distribution Plate

Description:

The Distribution Plate provides a method to connect ClorDiSys Solutions, Inc. chlorine dioxide gas generators to multiple rooms from one central location for quick easy connections. It is mounted at a central location and tubes and cabling run from this panel to the ceiling plate at each individual room to be decontaminated. Chlorine dioxide gas can be delivered to target areas from up to 500 feet away providing great flexibility when utilizing the Distribution Plate. Chlorine dioxide gas generators can be kept outside of high containment areas but can still be used to effectively sterilize these spaces. This is a custom part and can be made for 1-20 different rooms.



The plate allows for quick valved tubing connections and quick connection of electrical connectors to measure and control the RH to either the Minidox or Cloridox systems. This part is used in conjunction with PLAT-CEIL/PR/RH-001 which is mounted in the room.



Product Number	Description
PLAT-DISTXX-001	Distribution Plate, XX number of room connections

Ceiling Plate

Description:

The Ceiling Plate works in conjunction with the Distribution Plate (PLAT-DISTXX-001) to provide a method of decontaminating a single room from a remote location. The ceiling plate is mounted in the room and connected to the Distribution Plate via tubing and signal cables to communicate with the ClorDiSys chlorine dioxide gas generator located next to the Distribution Plate at a central location.

The ceiling plate is to be securely screwed and sealed to the ceiling to prevent gas from leaking during the decontamination process.

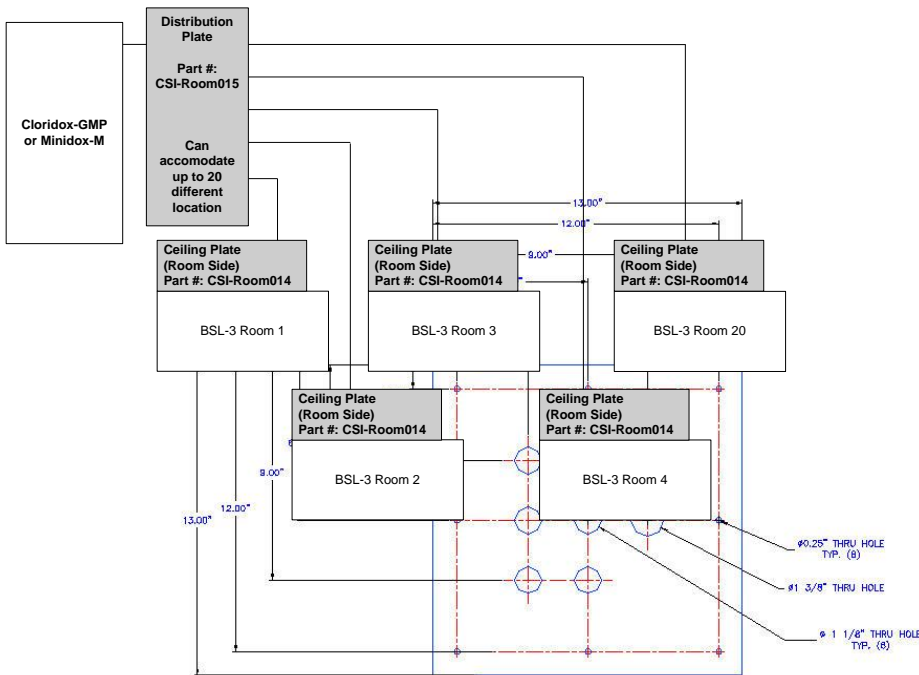
The Ceiling Plate can be configured with a Pressure Relief valve for rooms where pressure build up may be an issue, such as BSL3-Ag facilities and other extremely tight rooms.



Dimensions: 13" (L) x 13" (W)

Weight: 13 lbs.

Connections and plate sizing can be customized to fit your facility's needs.



Product Number	Description
PLAT-CEIL/PR/RH-001	Door Plate, Pressure Relief and RH Probe included
PLAT-CEIL/RH-001	Door Plate, RH Probe included and no Pressure Relief
PLAT-CEIL-001	Door Plate, RH Probe not included and no Pressure Relief

Under Door Plate

Description:

The Under Door Plate is a simple, portable connection plate geared for facilities who will use their ClorDiSys chlorine dioxide gas generator for many different applications. The Under Door Plate provides an easier method of sealing around the gas injection and gas sample tubes running underneath the door or into other chambers and environments. Tape only needs to seal around the flat, flexible plastic plate rather than the round tubes and cables.



Dimensions: 18" (L) x 12" (W)
Weight: 1 lb.

Product Number	Description
PLAT-UDOOR-001	Room Under Door Plate

Room Valve System

Description:

The Room Valve System is designed to allow for the sealing of a room's HVAC system when shutting off the system is impossible or gas tight dampers are not available.

Sealing of the room is made possible by first connecting the flexible duct to the gasketed vent cover plate. The gasketed vent cover plate is then held up to the exhaust and/or supply vent. Next, the gasketed vent cover will be held in place by the quick support extension pole to create a seal over the vent. The valve will be closed via the portable Chlorine Dioxide Gas Generator at the beginning of the decontamination cycle and automatically opened upon the start of aeration.

Room Valve System Setup:

1. Connect flexible duct to gasketed vent cover.
2. Place gasketed vent covers over exhaust and supply vents
3. Extend quick support extension pole to hold gasketed vent cover in place over vent, creating a seal.
4. Connect valve to portable CD Gas Generator via electrical cable.



Gas tight, external damper is connected to and controlled by the CD Gas generator for automatic operation.

Gasketed vent cover provides a complete seal over both supply and exhaust vents quickly and easily using a quick support extension pole